

HC-90

CARTE TEHNICĂ DE ASAMBLARE

Scoat 26.XII.2019

J2
CANON SP MAMA
RCB

J4
CANON SP TATA

J3
CANON SP TATA

DIP
TASTATURA

J5
CAS

MODULATOR

A1 10K
A2 10K
A3 10K
A4 10K
A5 10K
A6 27K

P50 10K
P60 10K

A2
74LS244

A3
74LS04

A5
74LS373

B6 Z80A

B7 27128

B2
74LS08

B3
74LS08

A4 10K
A5 10K
A6 10K

R1 10K
R2 10K
R3 10K
R4 10K

C1
1000

C2
1000

C2
7473

C3
74LS161

C4
74LS175

C5
74LS373

C6
74LS367

A8
4164

D2
82S126

D3
74S74

D4
74LS174

D5
74LS374

D6
74LS257

D7
74LS257

B9
4164

E2
74LS161

E3
74LS74

E4
74LS74

E5
74LS374

E6
74LS257

E7
74LS138

D8
4164

F2
74LS27

F3
74LS06

F4
74LS00

F5
74LS374

F6
74LS32

F7
74LS74

D9
4164

G2
74LS04

G3
74LS161

G4
74LS257

G5
74LS374

G6
74LS00

G7
74LS161

E9
4164

H2
74LS04

H3
74LS161

H4
74LS157

H5
74LS151

H6
74LS32

H7
74LS257

F8
4164

G8
4164

H8
4164

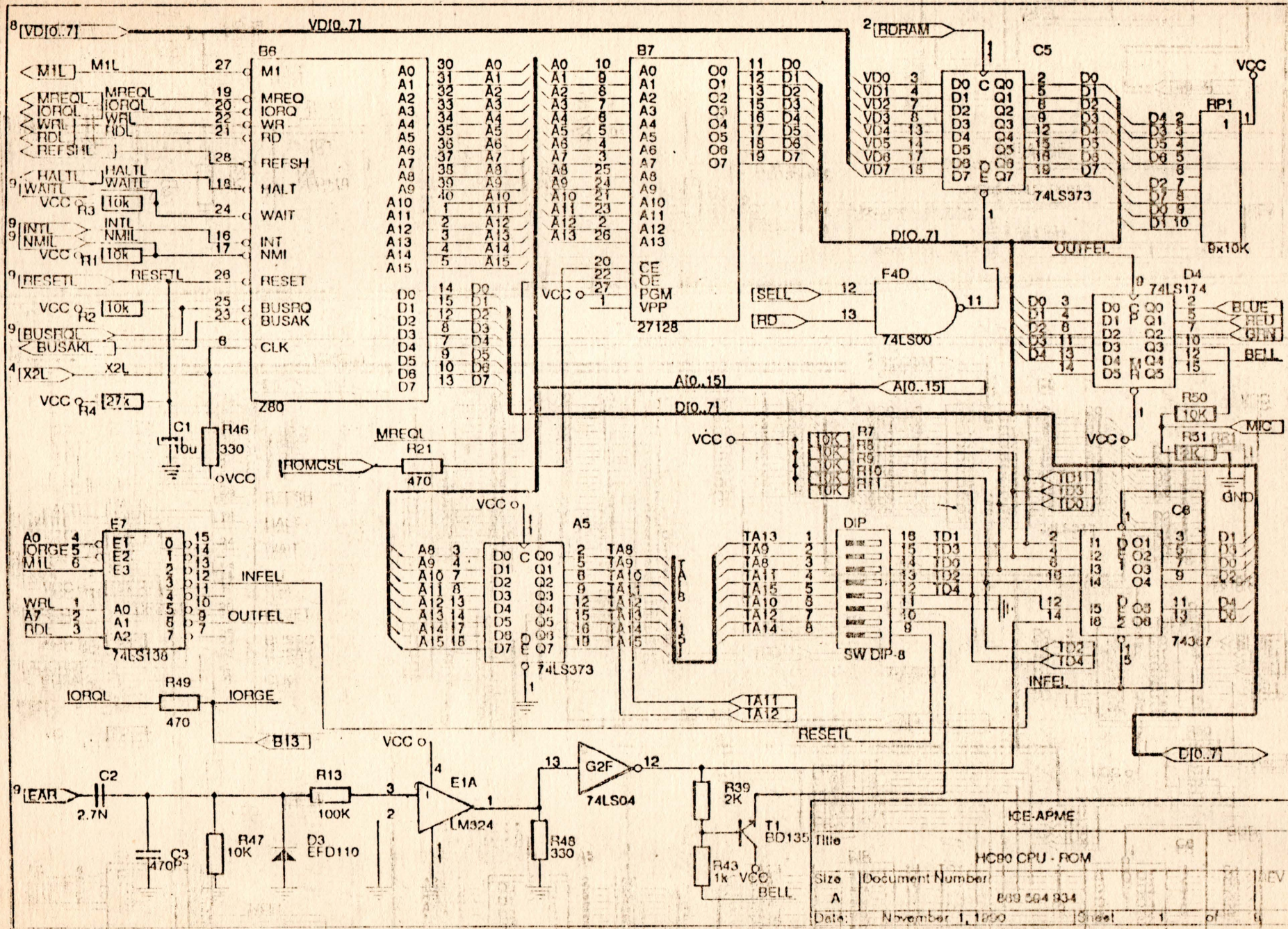
B1 110MH

C11 3/10P

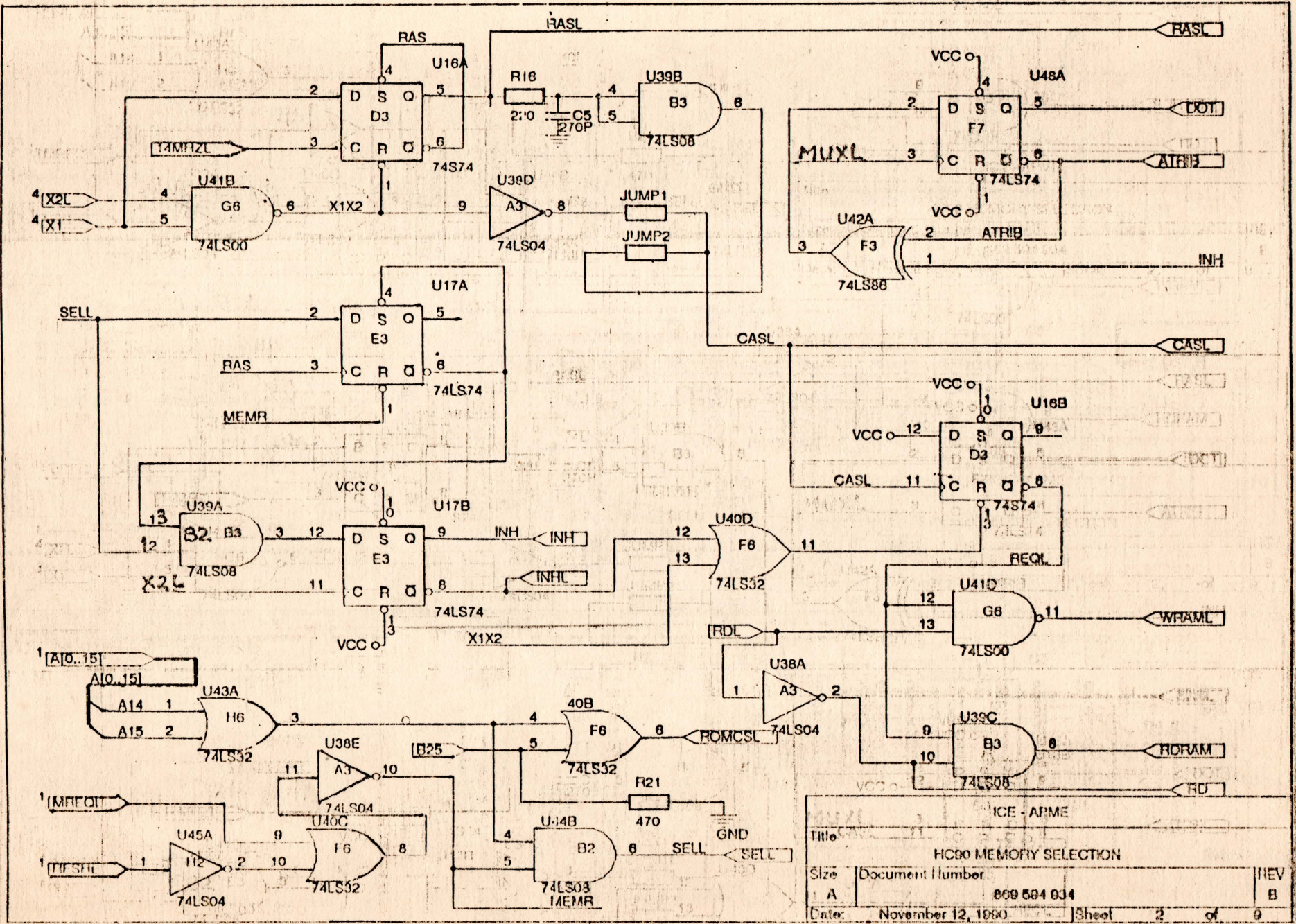
Q1 14M

E1 LM324

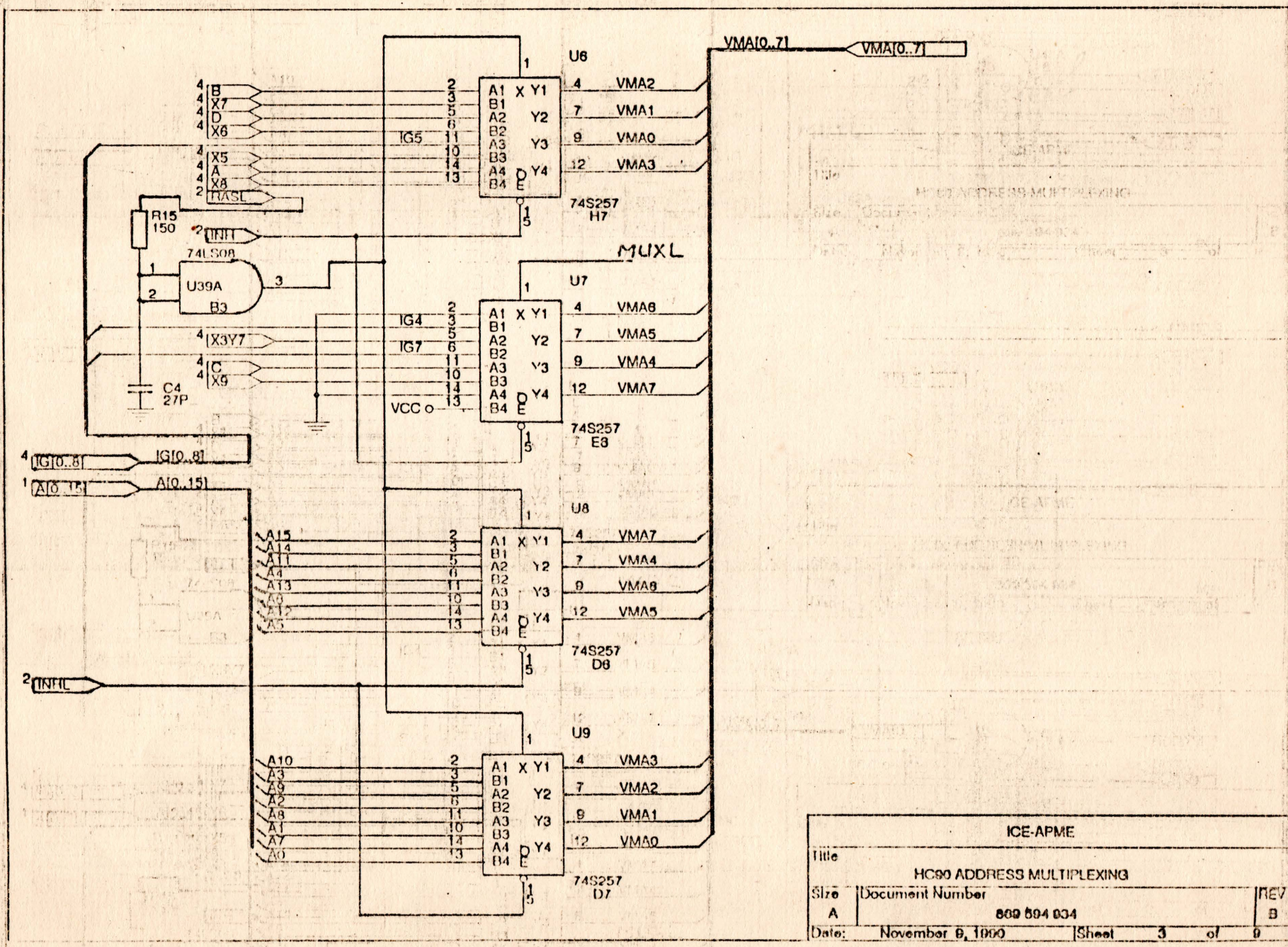
IC90 869 594 934 REV



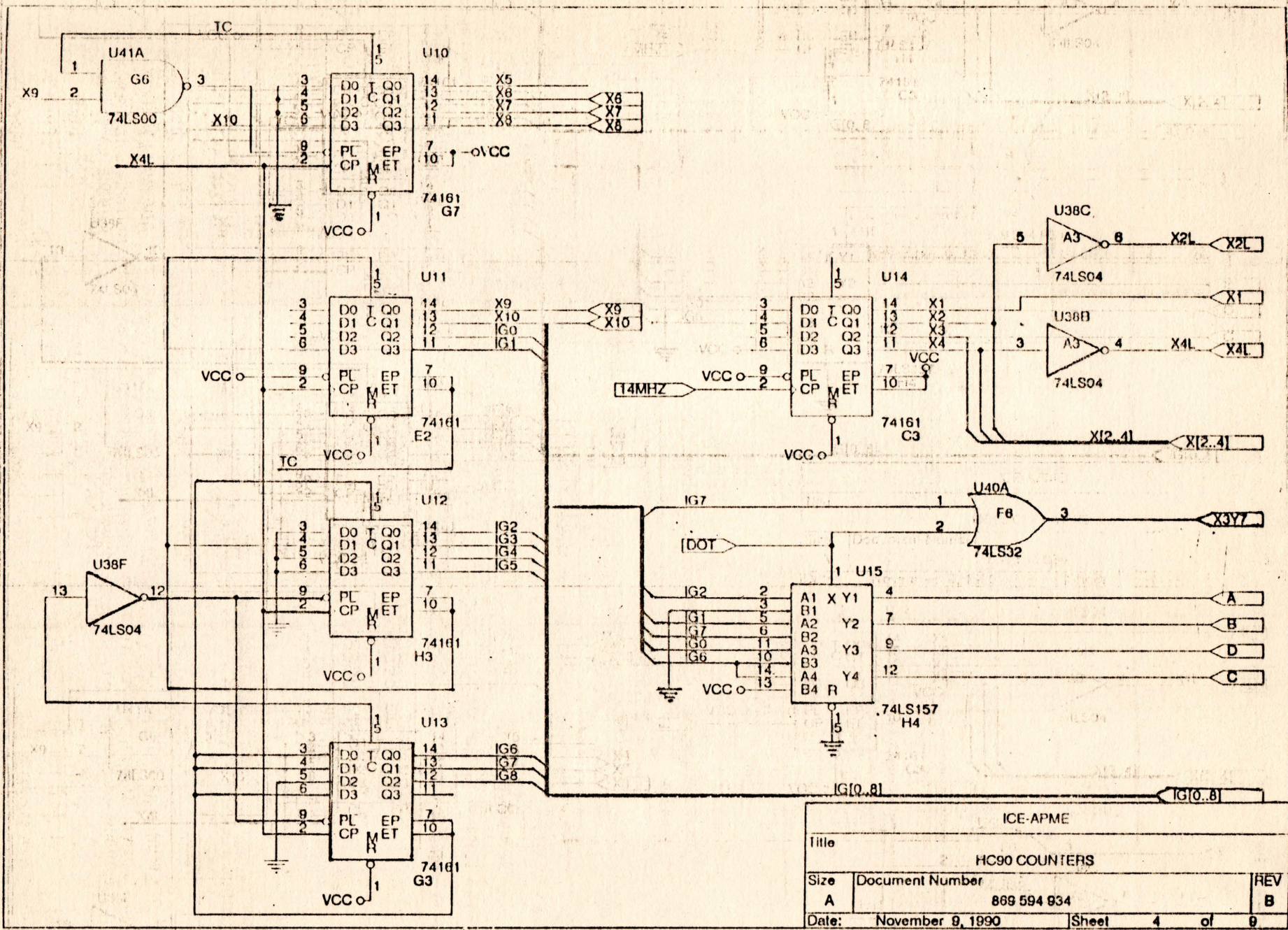
Title		ICE-APME	
Part Number		HC90 CPU-ROM	
Size	Document Number	REV	
A	809 564 934		
Date:	November 1, 1990	Sheet	1 of 1



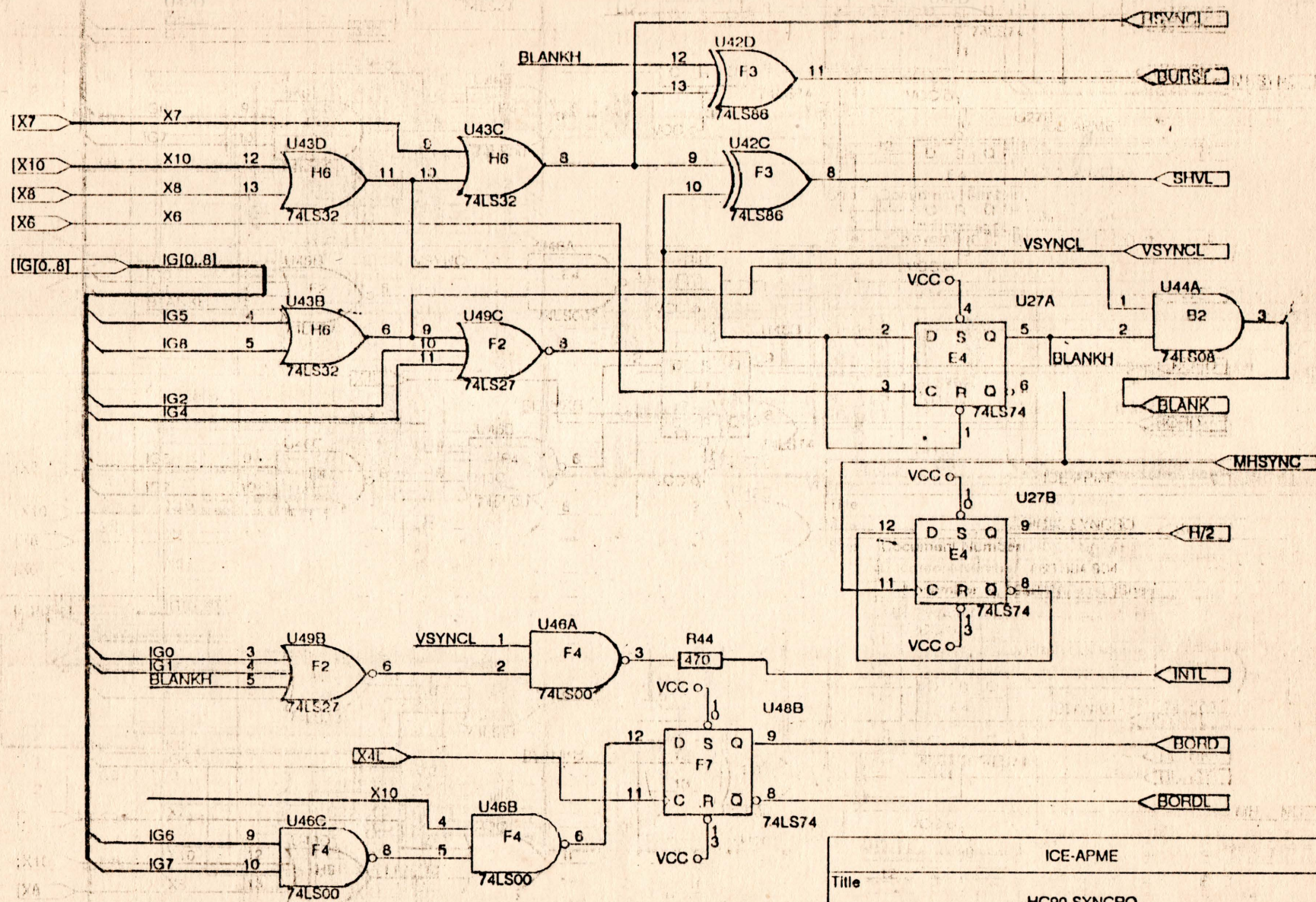
ICE - APME			
Title	HC90 MEMORY SELECTION		
Size	Document Number		REV
A	809 504 034		B
Date:	November 12, 1990	Sheet	2 of 9



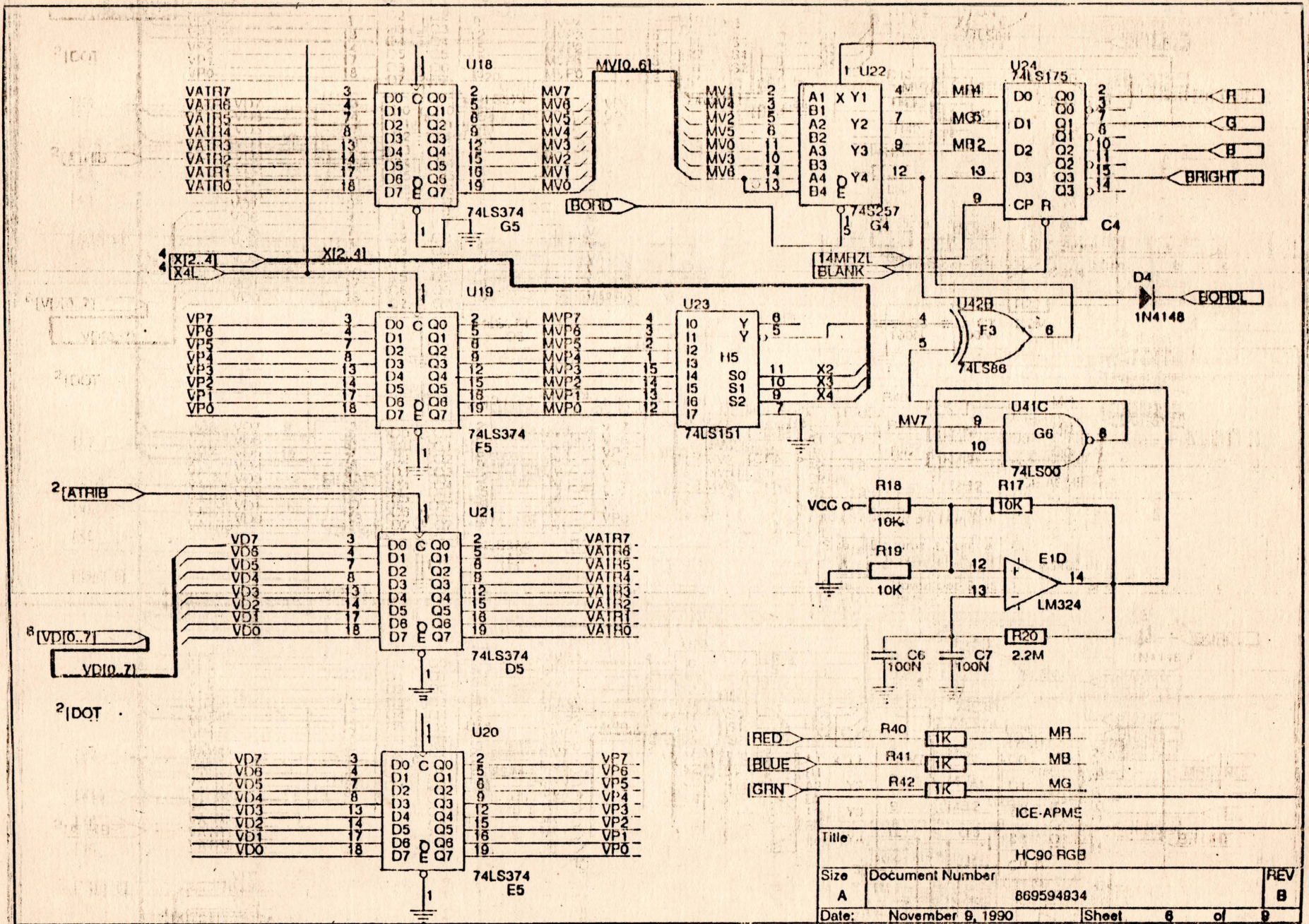
ICE-APME		
Title		
HC90 ADDRESS MULTIPLEXING		
Size	Document Number	REV
A	869 804 034	B
Date:	November 9, 1990	Sheet 3 of 9



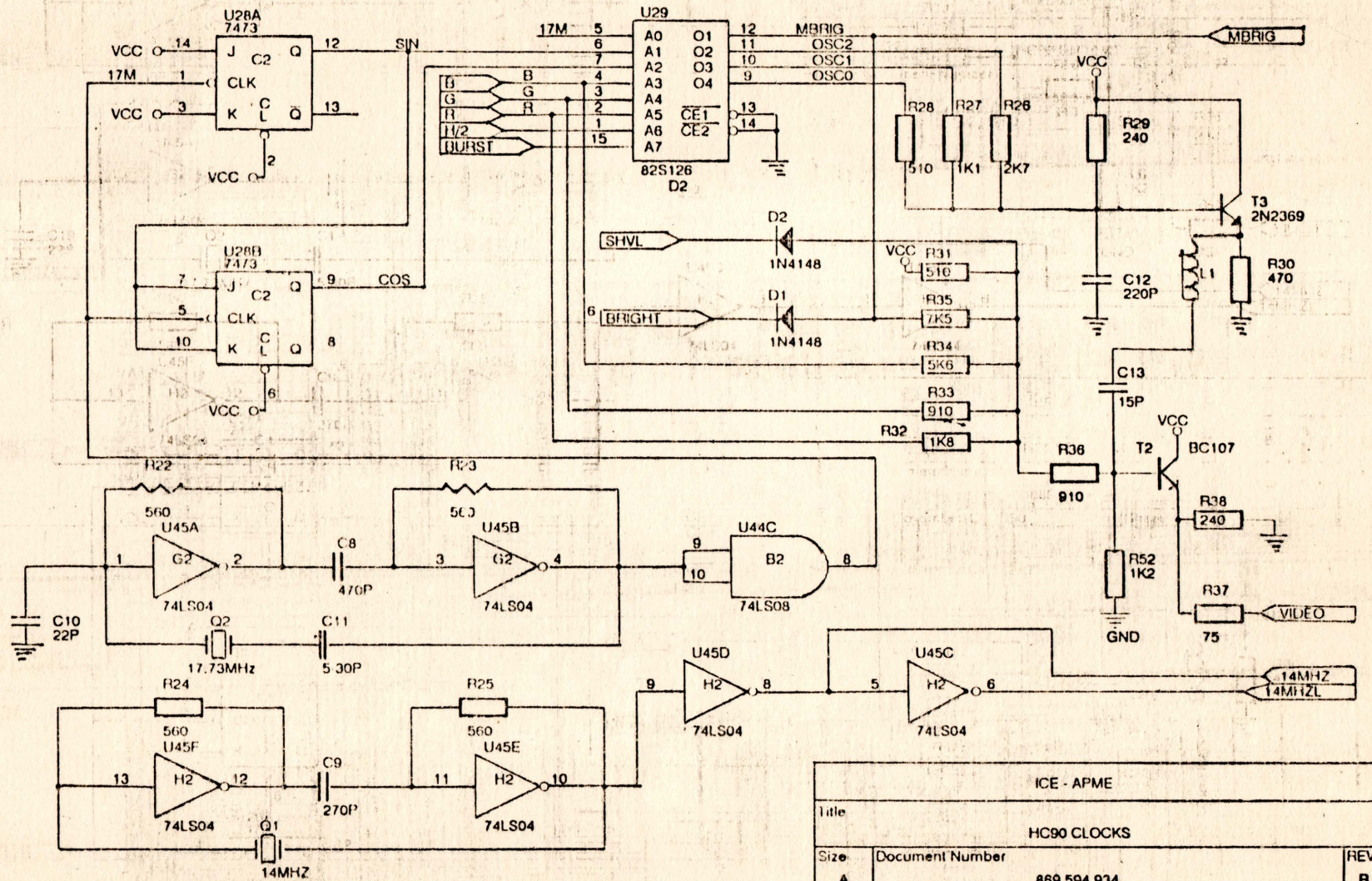
ICE-APME		
Title		
HC90 COUNTERS		
Size	Document Number	REV
A	869 594 934	B
Date:	November 9, 1990	Sheet 4 of 9



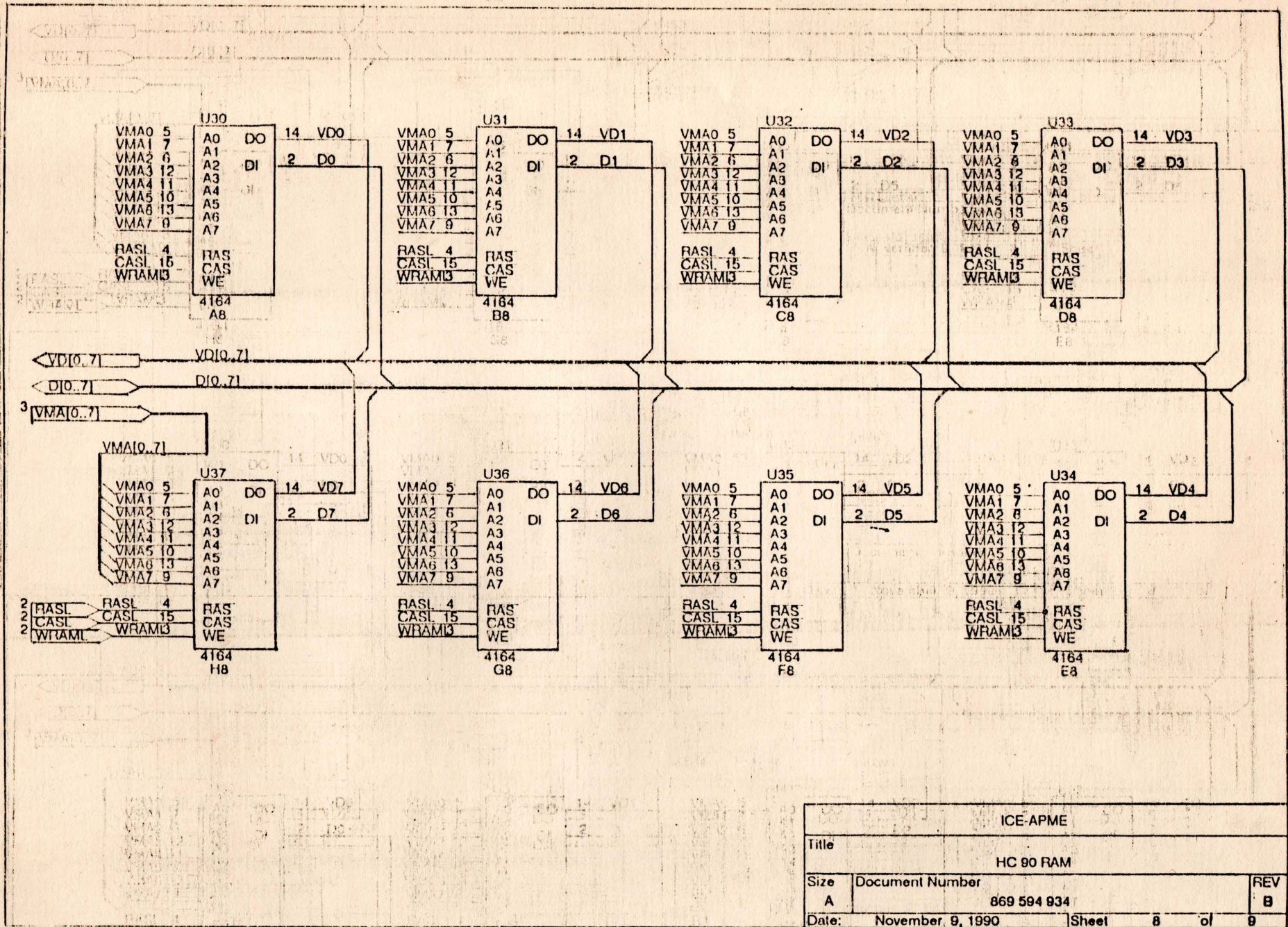
ICE-APME		
Title		
HC90 SYNCRO		
Size	Document Number	REV
A	869 594 934	B
Date:	November 9, 1990	Sheet 5 of 9



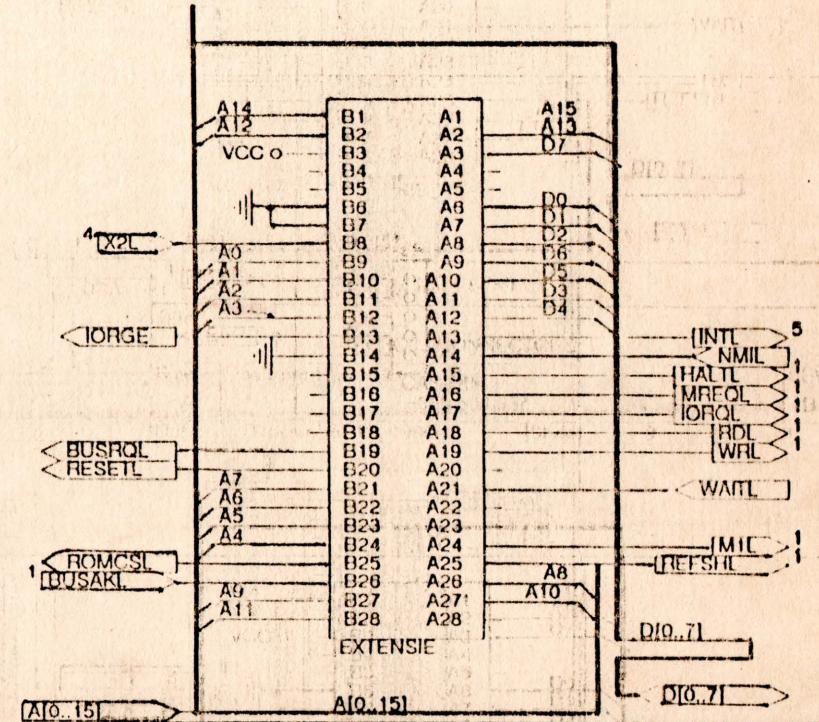
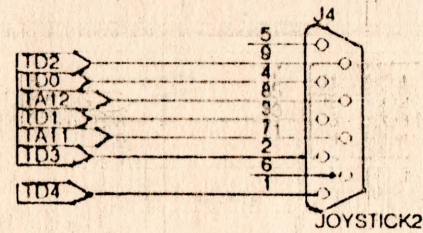
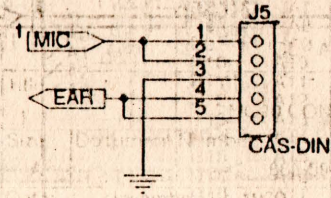
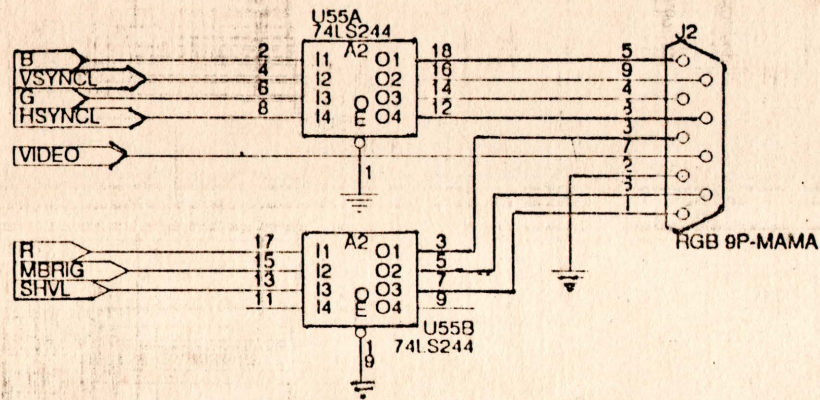
ICE-APME		
Title: HC90 RGB		
Size: A	Document Number: 869594834	REV: B
Date: November 9, 1990	Sheet: 6	of: 9



ICE - APME		
Title		
HC90 CLOCKS		
Size	Document Number	REV
A	869 594 934	B
Date:	November 12, 1990	Sheet 7 of 9



ICE-APME		
Title		
HC 90 RAM		
Size	Document Number	REV
A	869 594 934	B
Date:	November 9, 1990	Sheet 8 of 9



Title		ICE-APME	
Size		Document Number	
A		869 594 934	
Date:	November 12, 1990	Sheet	9 of 9